

The Eltex ground clamps of series 70 are designed for making and - in connection with Eltex TUE30 Terra-Control ground monitoring system - for monitoring ground connections. The appliances are used in areas where potentially explosive materials and substances are loaded, discharged or refilled. Any developing static charges are safely and effectively eliminated and led to ground.

The Eltex cable rewinders of series 601KR/ ensure that the ground cable is safely reeled back after use, protecting it from damage and dirt.

The cable rewriter 601KR/AW is made of impact-proof aluminum and is mounted with an assembly bracket.

The cable rewriter 601KR/KW is encased in a robust and sturdy plastic housing. The cable outlet is fitted with four cable guide rollers for easy cable guidance.

Both cable rewinders are designed for wall mounting and may be used in zones with potentially explosive atmospheres in connection with the Eltex ground monitoring system.

Technical Information



F0001Y

Ground Clamps Series 70 Cable Rewinder Series 601KR

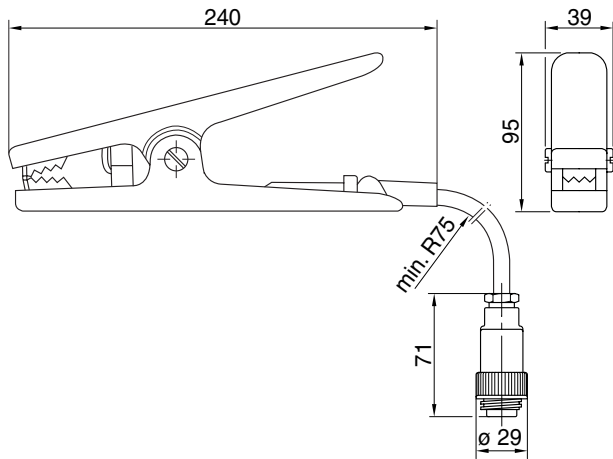
for ground monitoring system Terra-Control TUE30
and passive grounding

TI-en-4007-0805



electrostatic
innovations

Ground clamp types 70AG, 70BG, 70SG



Type 70AG for active grounding, Type 70BG for active BIG BAG grounding for use with the components of the TUE30 Terra-Control ground monitoring system

Clamp material	Stainless steel
Operating ambient temperature	-20...+70°C (-4...+158°F)
Ground cable	oil and gasoline resistant control lead, 3 x 1.5 mm ² , temperature range -20... +90°C (-4...+194°F), connected 4-pin plug IP67
Dimensions	see Fig.
Weight	approx. 0.6 kg
Identification marking	⊕ II 2D Ex iaD 21 T70°C, II 2G Ex ia IIC T6 max. surface temperature (depending on ambient temperature, not on the temperature of the appliance): 70°C
Approval	DMT 00 ATEX E068 X

Type 70SG for passive grounding for used without TUE30 ground monitoring system

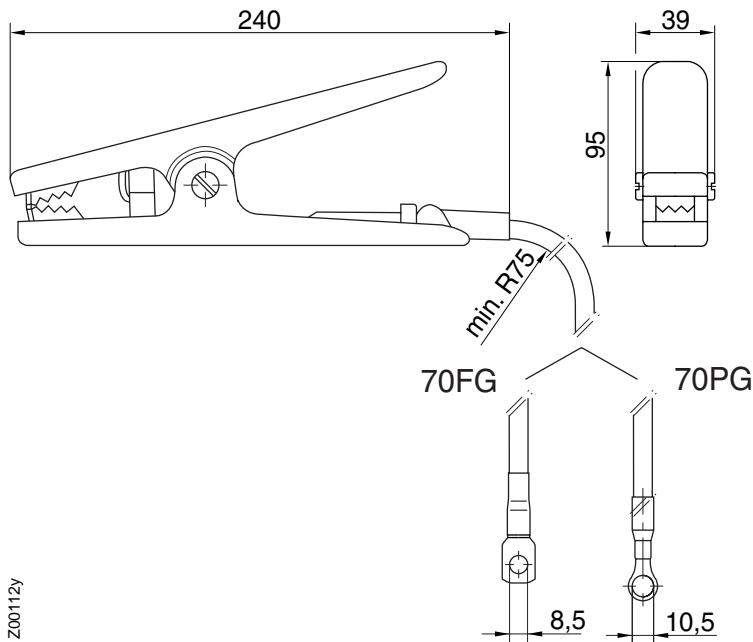
Clamp material	Stainless steel
Operating ambient temperature	-20...+70°C (-4...+158°F)
Ground cable	oil and gasoline resistant control lead, H07BQ-F, conductor cross section 3 x 1.5 mm ² , temperature range -20...+90 °C (-4...+194 °F), connected 4-pin plug IP67 or wire end ferrule
Dimensions	see Fig.
Weight	approx. 0.6 kg
Clamping width	35 mm
Clamping force	140 N ±20%
Earth leakage resistance	235 kOhm ±10%
Max. discharge voltage	120 V
Chemical resistance	oil and gasoline
Identification marking	⊕ II 1G IIB T6 or II 2G IIC T6 or II 1D T80°C max. surface temperature: 80°C
Approval	ZELM 04 ATEX 0229 X



**electrostatic
innovations**



Ground clamp types 70FG, 70PG



Z00112y

Types 70FG, 70PG for passive grounding for use without TUE30 ground monitoring system

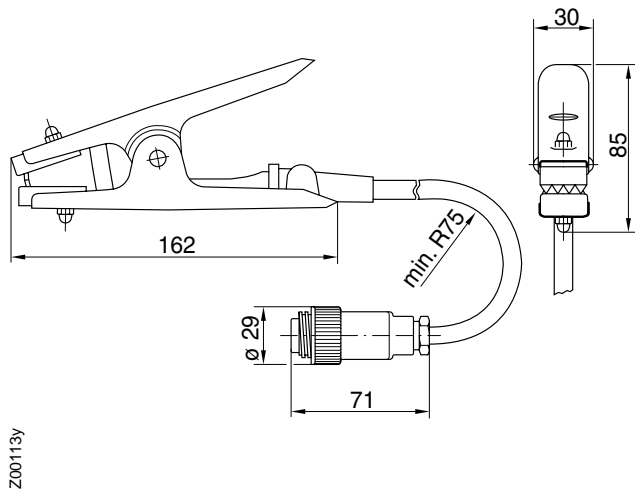
Clamp material	Stainless steel
Operating ambient temperature	-20...+70°C (-4...+158°F)
Ground cable	70FG: highly flexible control lead, LIFY, conductor cross section 10 mm ² with cable lug 70PG: oil and gasoline resistant control lead, H07BQ-F, conductor cross section 3 x 1.5 mm ² , temperature range -20...+90 °C (-4...+194 °F), connected 4-pin plug IP67 or with cable lug
Dimensions	see Fig.
Weight	approx. 0.6 kg
Clamping width	35 mm
Clamping force	140 N ±20%
Earth leakage resistance	70FG: <1 Ohm; 70PG: 235 kOhm ±10%
Chemical resistance	oil and gasoline
Identification marking	⊕ II 1G IIB T6 or II 2G IIC T6 or II 1D T80°C max. surface temperature: 80°C
Approval	ZELM 04 ATEX 0229 X



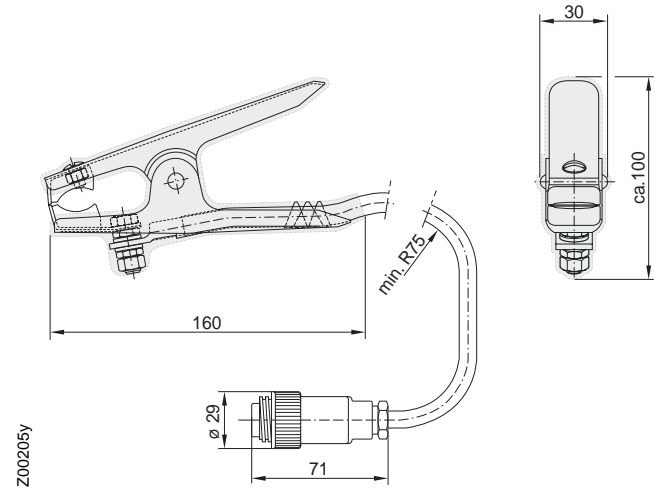
electrostatic
innovations

Ground clamp type 70AK, type 70HK

Typ 70AK



Typ 70HK



Type 70AK for active grounding

for use with the components of the TUE30 Terra-Control ground monitoring system

Clamp material	Stainless steel
Operating ambient temperature	-20...+70°C (-4...+158°F)
Ground cable	oil and gasoline resistant control lead, 3 x 1.5 mm ² , temperature range -20...+90°C (-4...+194°F), connected 4-pin plug IP67
Dimensions	see Fig.
Weight	approx. 0.3 kg
Identification marking	⊕ II 2D Ex iaD 21 T70°C, II 2G Ex ia IIC T6 max. surface temperature (depending on ambient temperature, not on the temperature of the appliance): 70°C
Approval	DMT 00 ATEX E068 X

Type 70HK for active BIG BAG

for use with the components of the TUE30 Terra-Control ground monitoring system

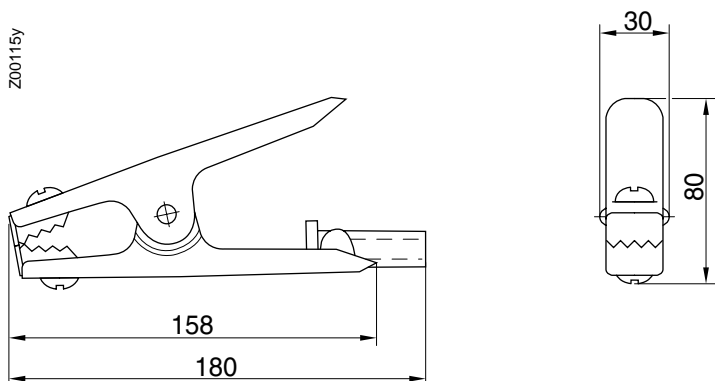
Clamp material	galvanized sheet steel, plastic handle
Operating ambient temperature	-20...+70°C (-4...+158°F)
Ground cable	oil and gasoline resistant control lead, 3 x 1.5 mm ² , temperature range -20...+90°C (-4...+194°F), connected 4-pin plug IP67
Dimensions	see Fig.
Weight	approx. 0.25 kg
Identification marking	⊕ II 2D Ex iaD 21 T70°C, II 2G Ex ia IIC T6 max. surface temperature (depending on ambient temperature, not on the temperature of the appliance): 70°C
Approval	DMT 00 ATEX E068 X



**electrostatic
innovations**



Ground clamp type 700K

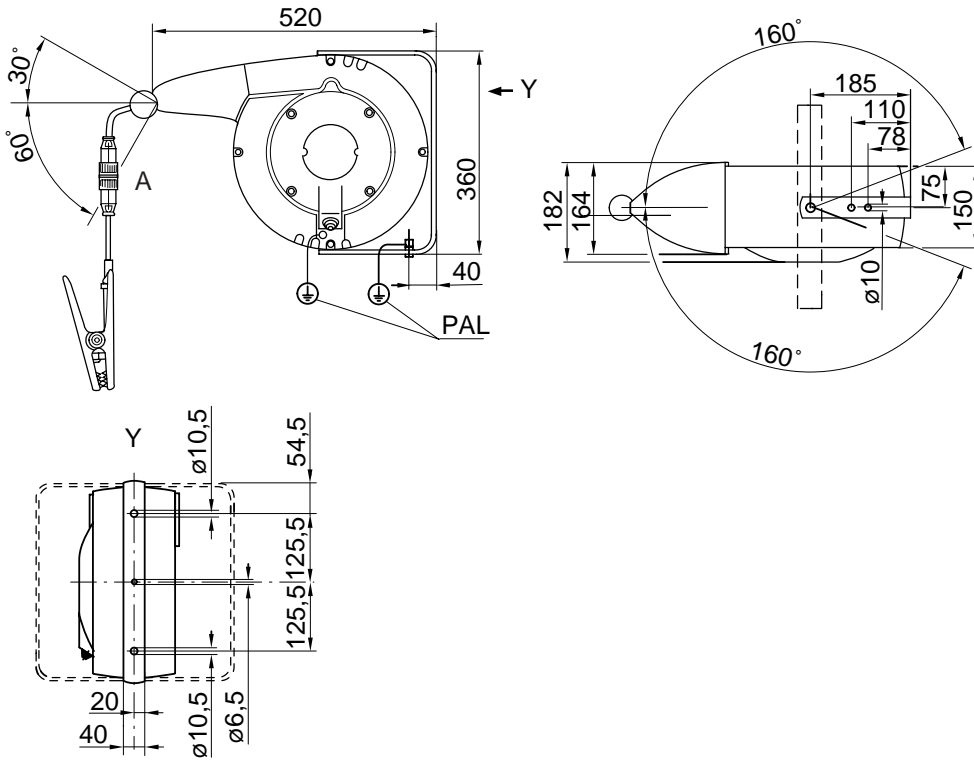


Type 700K for passive grounding for use without TUE30 ground monitoring system

Clamp material	Stainless steel
Operating ambient temperature	-20...+70°C (-4...+158°F)
Ground cable	without cable min. conductor cross section. 4 mm ² ; max. 10 mm ²
Tightening torque	terminal screw for the cable lug: 9 Nm
Dimensions	see Fig.
Weight	approx. 0.22 kg
Clamping width	35 mm
Clamping force	100 N ±20%
Earth leakage resistance	<1 Ohm
Chemical resistance	oil and gasoline
Identification marking	⊕ II 1G IIB T6 or II 2G IIC T6 or II 1D T80°C max. surface temperature: 80°C
Approval	ZELM 04 ATEX 0229 X



Cable rewriter type 601KR/AW



Z00097y

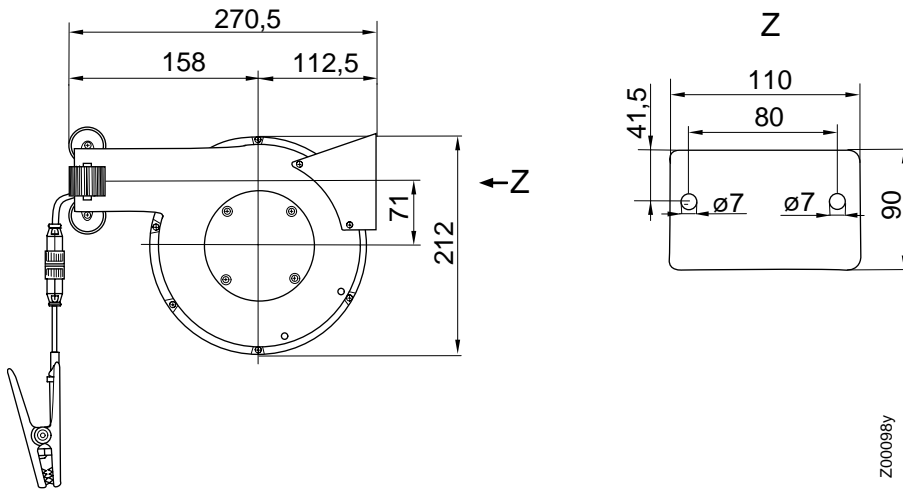
Type 601KR/AW for active grounding for use with the components of the TUE30 Terra-Control ground monitoring system

Enclosure	ribbed and reinforced aluminum, protected cable inlet aperture with stopper
Rewind mechanism	automatic, special spring, on-off function
Protection class	IP43, EN 60529
Operating ambient temperature	-20...+70°C (-4...+158°F)
Attachment	wall assembly via assembly bracket
Ground cable	20 m oil and gasoline resistant control lead, 3 x 1.5 mm ² , temperature range -20...+90°C (-4...+194°F), connected 4-pin socket IP67
Connecting lead	2.5 m, connecting cable 3 x 1.5 mm ²
Dimensions	see Fig.
Weight	approx. 14 kg with 20 m ground cable
Inductance	approx. 0.1 mH
Capacitance	approx. 5.0 nF
Identification marking	⊕ Ex II 2D Ex iaD 21 T70°C, II 2G Ex ia IIC T6 max. surface temperature (depending on ambient temperature, not on the temperature of the appliance): 70°C
Approval	DMT 00 ATEX E068 X



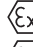
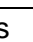
electrostatic
innovations

Cable rewriter type 601KR/KW, 601KR/BW



Z00098y

**Type 601KR/KW for active grounding
for use with the components of the TUE30 Terra-Control ground monitoring system**
**Type 601KR/BW for passive grounding
for use without TUE30 ground monitoring system**

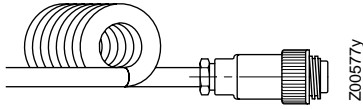
Enclosure	plastic, cable inlet aperture with rollers
Protection class	IP42, EN 60529
Operating ambient temperature	-20...+70°C (-4...+158°F)
Attachment	wall assembly via metal assembly plate
Ground cable	9 m oil and gasoline resistant control lead, 3 x 1.5 mm ² , temperature range -20...+90°C (-4...+194°F), connected 4-pin socket IP67
Connecting lead	2.5 m, connecting cable 3 x 1.5 mm ²
Dimensions	see Fig.
Weight	approx. 7 kg with 9 m ground cable
Inductance	approx. 0.05 mH
Capacitance	approx. 2.50 nF
Identification marking	601KR/KW:  II 2D Ex iaD 21 T70°C, II 2G Ex ia IIC T6; 601KR/BW:  II 2GD c70°C max. surface temperature (depending on ambient temperature, not on the temperature of the appliance): 70°C
For 601KR/KW: Approval	DMT 00 ATEX E068 X

The current approvals with their supplements can be found at:
<http://service.eltex.de>.

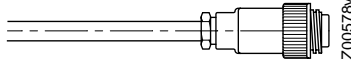


Cable Typ KG/BSA050, KG/BNA____, KG/GSA050, KG/GNA____

Helix ground cable



Ground cable



Cable for active grounding:

KG/BSA050: helix ground cable, cable color: blue,
extensible 1 to 5 m

KG/BNA____: ground cable, cable color: blue,
standard 10 m (or specify length)

Cable for passive grounding:

KG/GSA050: helix ground cable, cable color: yellow,
extensible 1 to 5 m

KG/GNA____: ground cable, cable color: yellow,
standard 10 m (or specify length)



**electrostatic
innovations**

Eltex-Elektrostatik-Gesellschaft mbH
Blauenstraße 67-69, D-79576 Weil am Rhein

Phone +49 (0) 76 21/ 79 05 - 230

Fax +49 (0) 76 21/ 79 05 - 330

eMail static-control@eltex.com

Internet www.eltex.com