

The point charging bar R23ATR is used wherever target-specific electrostatic charges need to be applied even at high temperatures. For instance in edge trim adhesion in flat film production. Using the point charging bars R23ATR, both outer edge zones of the film are fixed directly downstream from the flat film extrusion die to prevent neck-in.

The point charging bar R23ATR can be operated with one, two or three emission tips. The tips are interchangeable. The geometry of the tips is adjustable depending on application. This means that the point charging bar R23ATR may be used horizontally or vertically even in confined spaces.

## Technical Information



F01029y

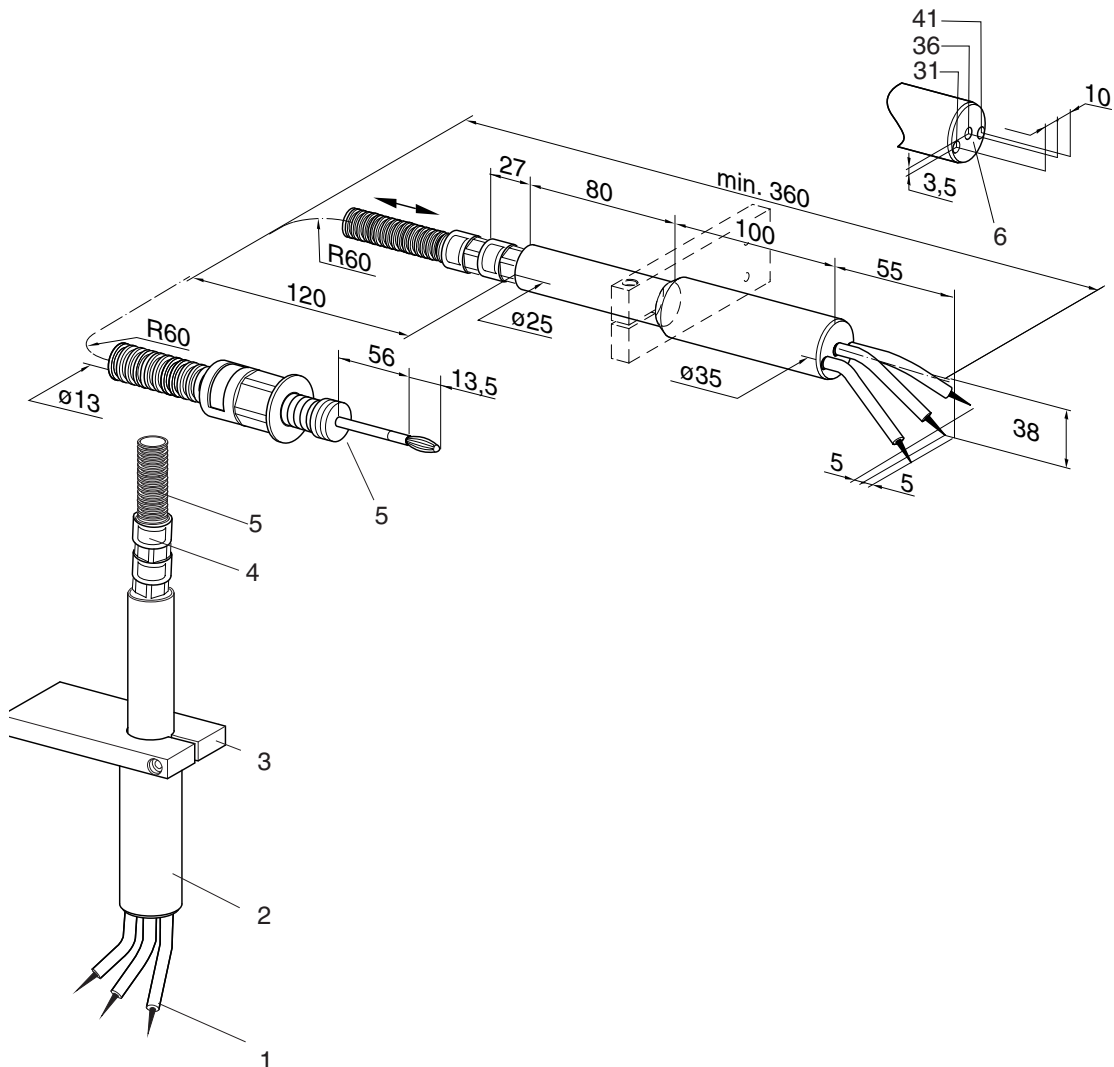
## R23ATR Point Charging Bar

TI-en-3021-1203



## Overview and dimensions

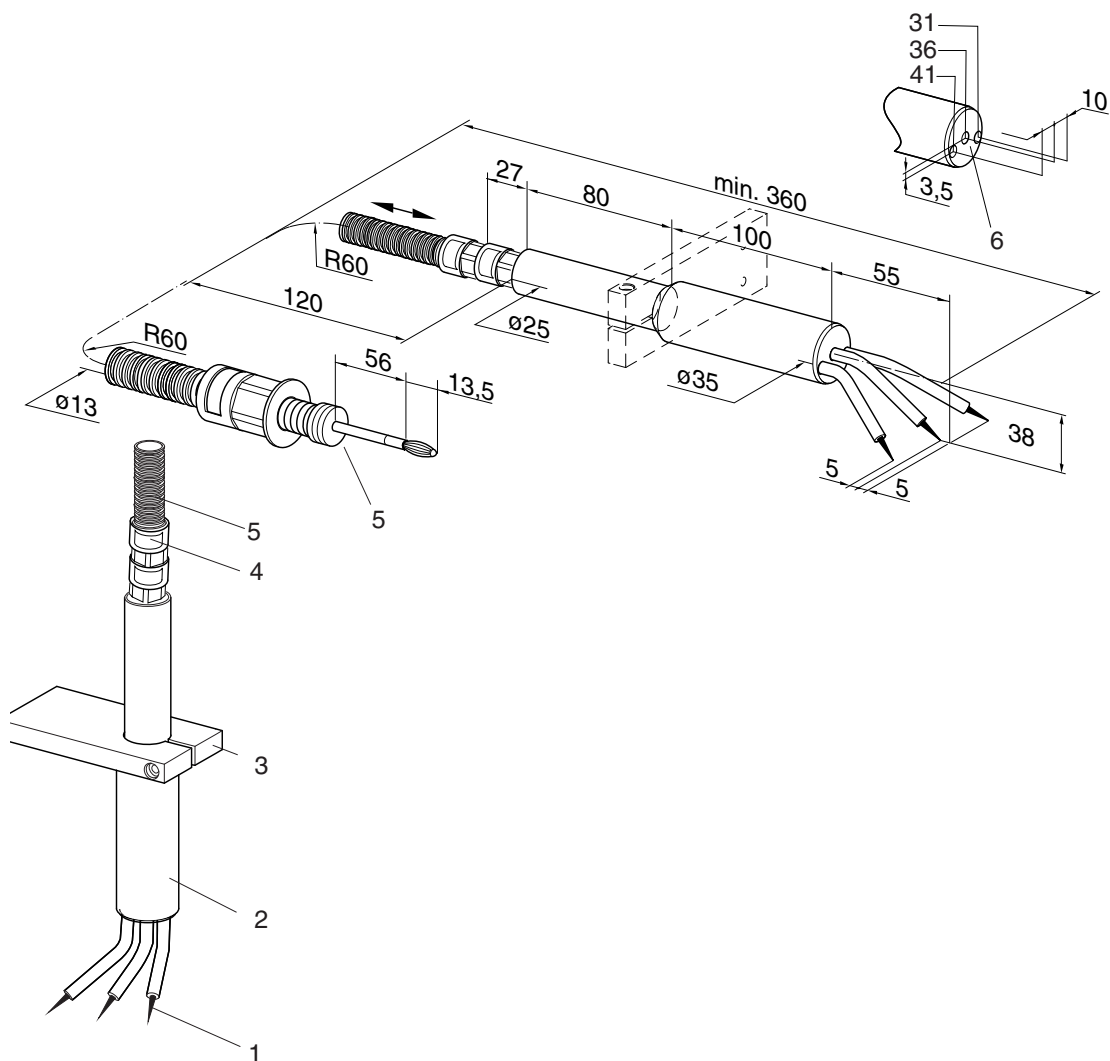
### R23ATR/LAAA Point Charging Bar Design left with emission tip Type A



- 1 Emission tip
- 2 Base element PU
- 3 GRP holder for installation (provided by the customer)
- 4 Cable gland
- 5 Detachable high voltage cable for connecting to the high voltage generator (accessories: not supplied)
- 6 Hole diagram and mounting depth of the emission tips

Z01139y

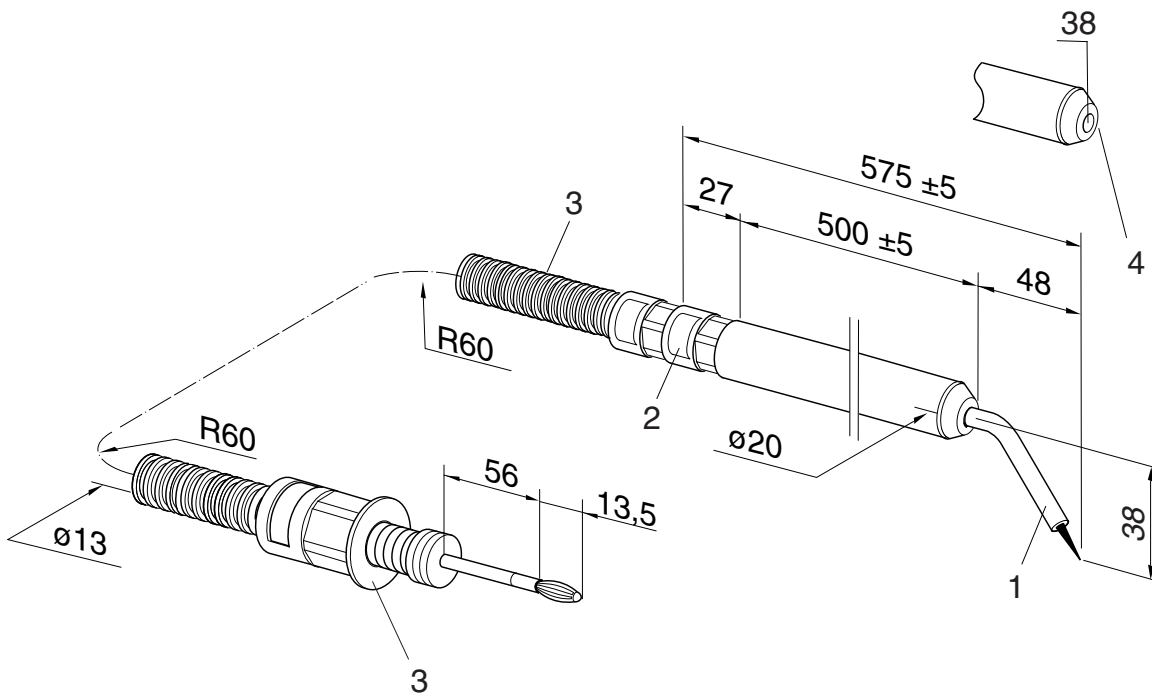
**R23ATR/LAAA Point Charging Bar**  
**Design right with emission Type A**



- 1 Emission tip
- 2 Base element PU
- 3 GRP holder for installation (provided by the customer)
- 4 Cable gland
- 5 Detachable high voltage cable for connecting to the high voltage generator (accessories: not supplied)
- 6 Hole diagram and mounting depth of the emission tips

Z01138y

## R23ATR11/\_A Point Charging Bar with emission tip Type A

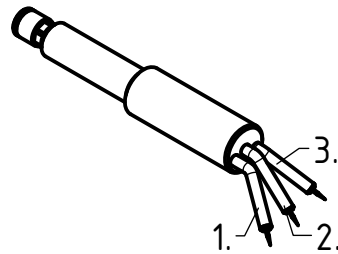
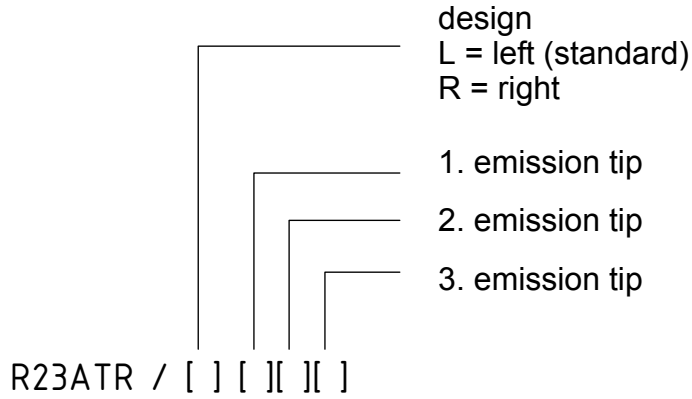


- 1 Emission tip
- 2 Cable gland
- 3 Detachable high voltage cable for connecting to the high voltage generator  
(accessories: not supplied)
- 4 Hole diagram and mounting depth of the emission tips

Z01140y

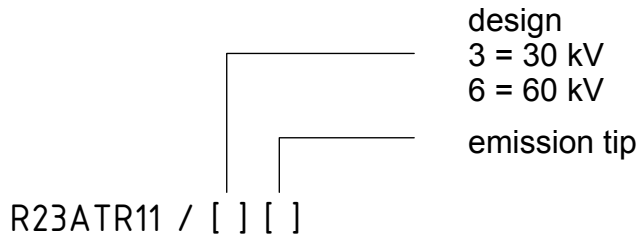
# Design options of the Point Charging Bars

R23ATR



design left  
R23ATR/LAAA

R23ATR11



Overview of the emission tips: please see table page 7

Z-09308X4e\_1y

Z-09308X4e\_2.3y

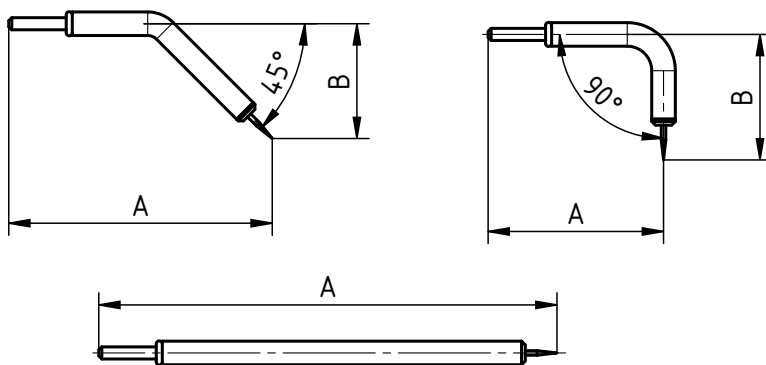
Z-09308X4e\_4y

## Technical specifications

Bar element	PU, UL 94 V-0
Emission tips	R23ATR: max. 3 emission tips R23ATR11: 1 emission tip exchangeable, adjustable, with insulating coating, current limited via separate resistance
Ambient operating temperature	0...+120°C (+32...+248°F) in emission tip area 0...+70°C (+32...+158°F) on bar element
Dimensions	see figures page 2 - 4
Operating voltage	R23ATR: 30 kV DC max. R23ATR11; 30 resp. 60 kV DC max.
High voltage power supply	via Eltex high voltage generators series KNH34/35 resp. KNH64/65
High voltage cable	prefabricated, exchangeable high voltage cable in plastic tubing with connector for charging bar and high voltage generator, high voltage cable must be ordered separately, specify cable length and power supply



• BAUART  
GEPRÜFT  
• TYPE  
APPROVED



*Consider mounting depths according to the figures on page 2 - 4*

## Overview emission tips

Emission tips				
Type	Angle	A (mm)	B (mm)	Art.-No.
A	45°	86	38	100294
B	0°	150	0	100293
C	45°	76	38	100292
D	45°	96	38	100291
E	45°	128	80	103418
F	45°	186	38	100301
G	45°	240	38	100296
H	45°	250	38	100295
I	45°	355	38	103500
J	90°	50	43	100297
K	90°	60	43	106320
L	90°	60	62	107854
M	90°	66	43	106615
N	90°	70	43	106321
P	90°	76	43	106616
R	90°	86	43	106617
S	90°	197	140	100298
T	90°	207	43	104038
U	90°	207	140	100299
V	90°	217	140	100300
X				no tip

# Eltex offices and agencies

The addresses of all  
Eltex agencies can be  
found on our website at  
[www.eltex.com](http://www.eltex.com)



z01007y



Eltex-Elektrostatik-Gesellschaft mbH  
Blauenstraße 67-69, D-79576 Weil am Rhein

Phone +49 (0) 76 21/ 79 05 - 230

Fax +49 (0) 76 21/ 79 05 - 330

eMail [static-control@eltex.com](mailto:static-control@eltex.com)

Internet [www.eltex.com](http://www.eltex.com)