

Electrostatic charges occurring during production processes often cause severe disruptions, reducing production speed and product quality.

The R55 ion blower head and the PR55 ion blower pistol are both components of the newly developed discharging system with ultimate depth effect; the blower head for fixed installation and the blower pistol for manual and mobile use.

The system is suitable for many discharging duties in various industries such as printing, chemical, textile, plastic, optical and packaging, for instance during separating and fanning paper and foil stacks, finishing plastic products and textiles, during the cleaning of surfaces, etc.

The benefits:

- high discharge reach and therefore greater depth effect
- ultimate safety through passive discharge power
- safety through function and error monitoring in connection with the appropriate power supply
- no risk of personal injury through electric shock if contacting the emission tips.

Technical Information



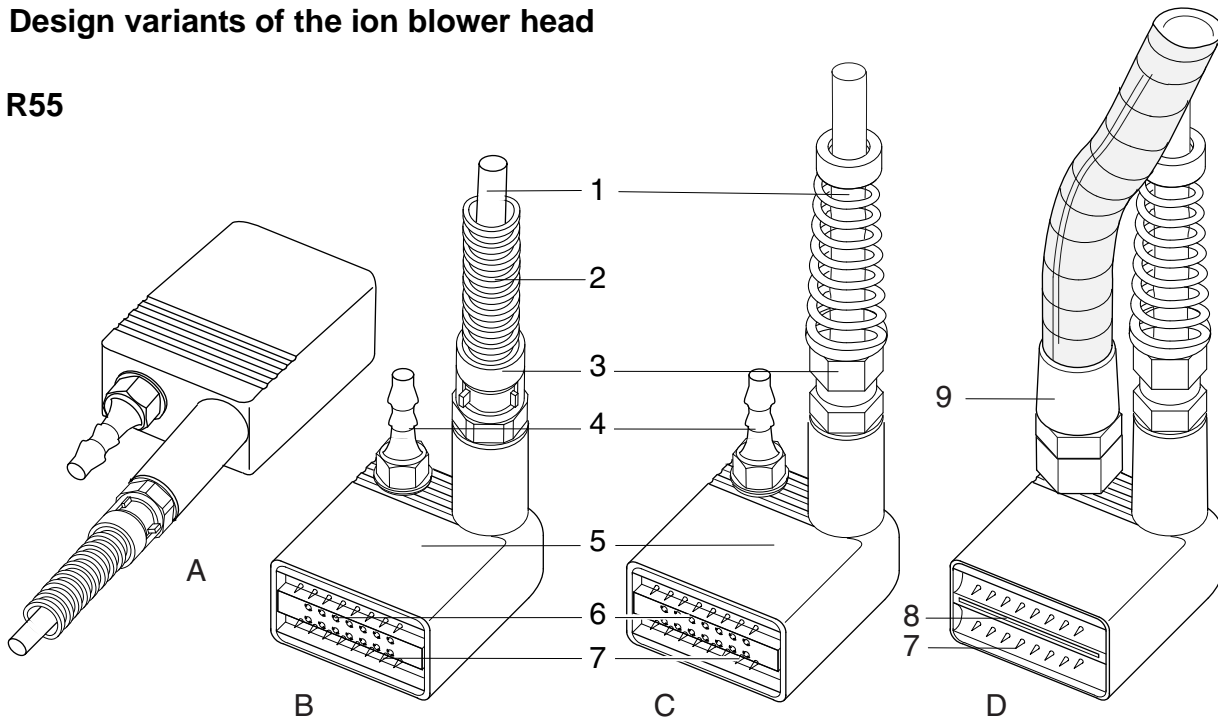
Ion Blower Head R55 **Ion Blower Pistol PR55** for AC operation

TI-en-2015-1111



Design variants of the ion blower head

R55



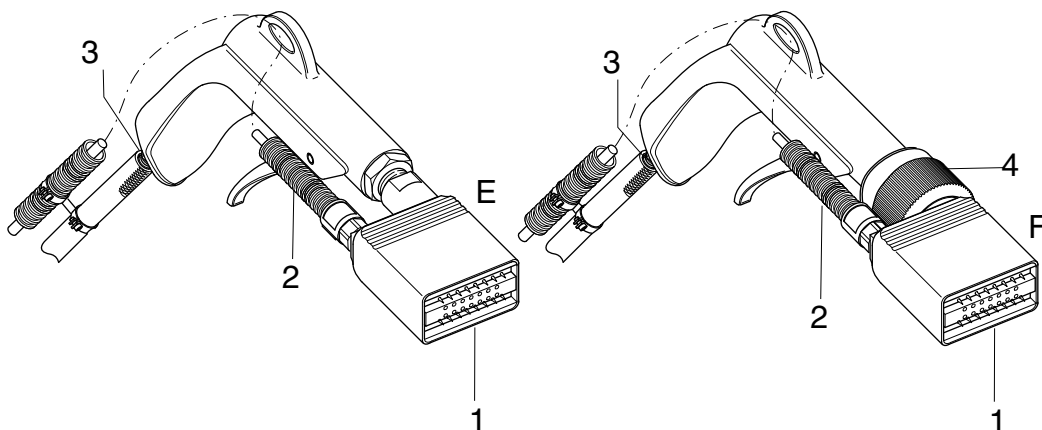
- 1 High voltage cable
- 2 Flexible tube
- 3 Cable gland
- 4 Air connection for air hose NW8
- 5 Blower head housing (PA)
- 6 Hole-type nozzle
- 7 Emission tips two rows
- 8 Fishtail nozzle

(air supply not included in the delivery)

- Blower head connections: radial or axial
- Electrical connections: R55: high voltage cable with or without flexible tubing
- Air outlet: through hole-type nozzles (turbulent air flow), through fishtail nozzles (optimized flow geometry for maximum reach)
- Brackets: standard bracket with steel angle pieces, universal bracket (rods), brackets with flexible metal tube (only for R55)

The different design versions can be freely combined in any configuration.

Design variants of the ion blower pistol PR55



Z00043y

- 1 Ion Blower Head
(emission tips, hole-type nozzle,
or opt. fishtail nozzle)
 - 2 High voltage cable
 - 3 Air connection for air hose NW10
threaded connection in the pistol
G 1/4"
 - 4 Filter
- (air supply not included in the delivery)

The PR55 ion blow pistol is available either with fishtail nozzle or with hole-type nozzles. The PR55 is available in the version PR55/F with grease filter for ultra-clean blowing air.

- A R55 axial design, high voltage cable with flexible tube
- B R55 radial design, high voltage cable with flexible tube, hole-type nozzle
- C R55 radial design, high voltage cable w/o flexible tube, hole-type nozzle
- D R55 radial design, high voltage cable w/o flexible tube, air supply with flexible metal tube, fishtail nozzle
- E PR55 with filter (PR55/N)
- F PR55 without filter (PR55/F)

Technical specifications

Electrode element	injection-moulded polyamide - PA 66 GiF30
Flame retardant property	UL 94 V-0
Emission tips	R55/PR55: injected, current-limited and low capacitance
Operating ambient temperature	R55/PR55: 0...80 °C (+32...+176 °F) with blown air; blown air temperature max. 30 °C; 0...60 °C (+32...140 °F) w/o blown air
Ambient humidity	max. 70%, no dewing permitted
Operating voltage	6 kV, 50/60 Hz
Short-circuit current emission tips/ground	0.040 mA
Contact protection	EN 61140
High voltage supply	R55/PR55: via Eltex ES5_ power supplies, operating voltage 6 kV AC
High voltage cable	R55/PR55: shielded, prefabricated, exchangeable PR55: additionally glued in (specify length when ordering)
Assembly	with assembly material, available in different designs (see Fig.)
Dimensions	see Fig.
Weight (w/o bracket)	R55: approx. 100 g PR55: approx. 200 g
Air connection	NW 8 mm hose (R55) or NW10 hose (PR55) or flexible metal tube with a G1/4" connection
Air pressure	max. 6 bar



The current approvals with their supplements can be found at: <http://service.eltex.de>.

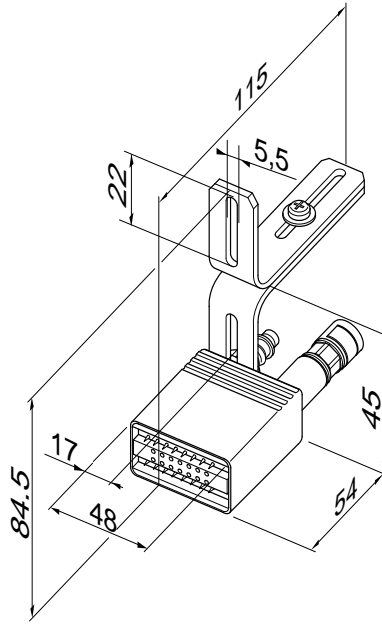
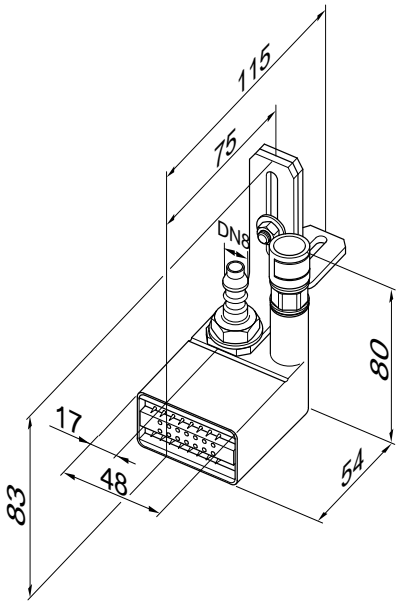
Air consumption in m³/h (typical value)

Measured pressure in bar	0.2	0.5	1.0	1.5	2.0	2.5
Ion blower head radial with hole-type nozzles R55/RL	2.5	6.4	12.5	17.8	22.6	27.7
Ion blower head radial with fishtail nozzles R55/RB	1.8	4.7	9.5	13.5	18.1	22.1
Ion blower head axial with hole-type nozzles R55/AL	2.1	5.8	11.0	15.9	20.5	24.5
Ion blower head axial with fishtail nozzles R55/AB	1.0	2.8	5.5	8.3	11.2	14.2
Ion blower pistol with hole-type nozzles PR55/NL	1.0	2.7	5.0	7.3	9.6	11.5
Ion blower pistol with fishtail nozzles PR55/NB	0.9	2.5	4.8	7.1	9.2	11.1

Accessories

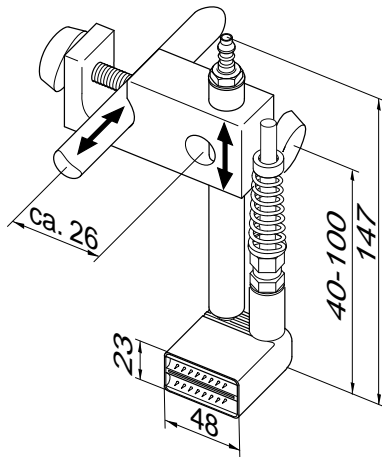
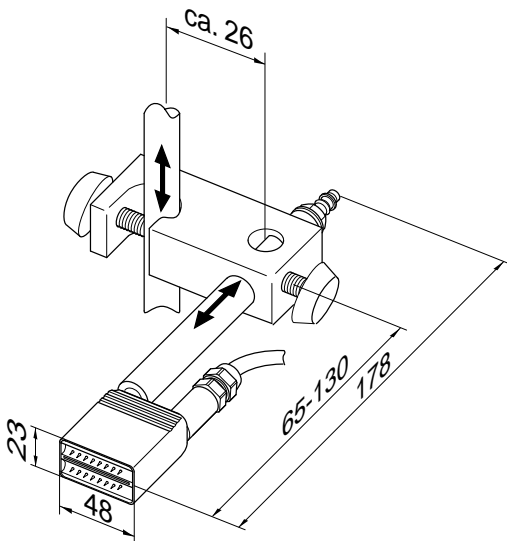
High voltage cable (specify length)	Article No.
High voltage cable from R55/PR55 to ES51 w/o flexible tube	KE/Sy ____
High voltage cable from R55/PR55 to ES51 with flexible tube	KE/Lw ____

Dimensions and brackets



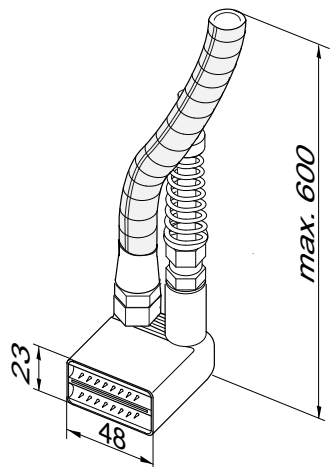
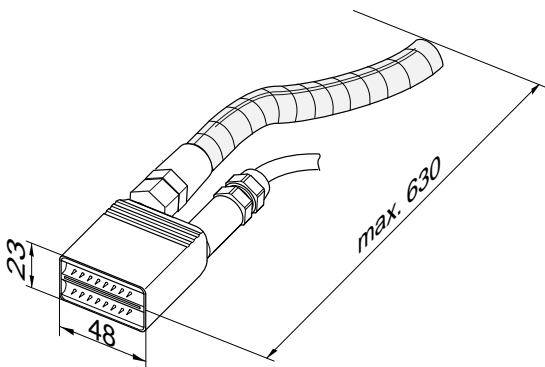
Z00023y

R55 ion blower head radial and axial connection design, with standard bracket



Z00024y

R55 ion blower head axial and radial connection design, with universal bracket

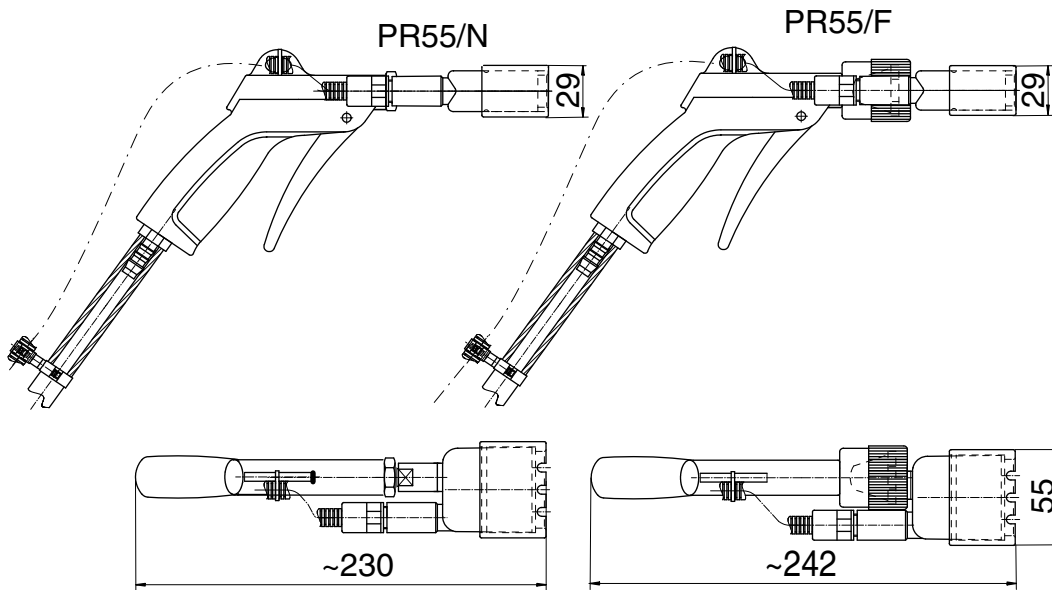


Z00028y

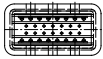
R55 ion blower head axial and radial connection design, bracket with flexible metal tube (air supply)



Dimensions



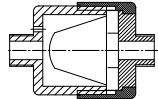
PR55 ion blower
pistol, without
and with filter



Hole-type nozzles



Fishtail nozzles



Filter

Z001327y

Eltex offices and agencies

The addresses of all
Eltex agencies can be
found on our website at
www.eltex.com



201007y



Eltex-Elektrostatik-Gesellschaft mbH
Blauenstraße 67-69, D-79576 Weil am Rhein

Phone +49 (0) 76 21/ 79 05 - 230

Fax +49 (0) 76 21/ 79 05 - 330

eMail static-control@eltex.com

Internet www.eltex.com