

The KNH124 High Voltage Generator is a multi-purpose voltage supply unit for any high voltage application and for Eltex DC-operated charging bars.

#### **Versatile use**

- all parameters freely programmable
- CAN bus concept
- control desk operation via remote control (RS232)
- easy installation
- low space requirement
- robust and sturdy enclosure IP54

#### **Safe operation**

- self monitoring of important functions
- self-diagnosis and alarm function
- power failure protected storage of data
- many programmable safety functions

#### **Precise work**

- minimum output value variations
- high reproducibility of the output data
- high efficiency

#### **Easy operation**

- menu-controlled operation
- illuminated 2-line display, output of messages in clear text
- large operator keys
- easy connection concept

## **Technical Information**



F00020y

## **KNH124 High Voltage Generator**

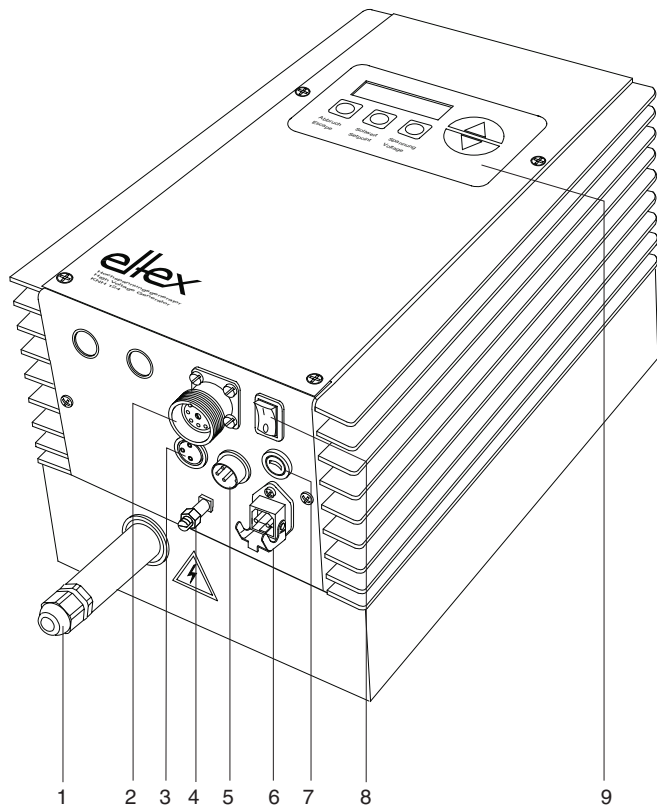
**TI-e-3013-0409**



**electrostatic  
innovations**

## KNH124: the all-round high voltage generator

The KNH124 high voltage generator with microprocessor control is an allround generator for a wide variety of applications in industry and laboratories. The generator is available with either negative and positive polarity.

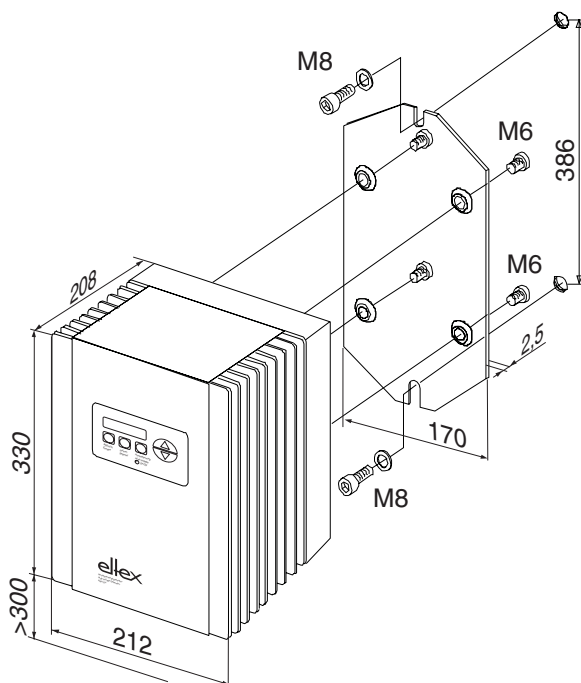


- 1 High voltage output
- 2 Socket, analog interface
- 3 Socket, CAN bus (female)
- 4 Ground terminal
- 5 Socket, CAN bus (male)
- 6 Socket, system input
- 7 Fuse (fuse type see nameplate)
- 8 Master switch ON/OFF
- 9 Operator interface, two-line display, keypad

z00170y

## Dimensions

High voltage generator KNH124 with mounting bracket.



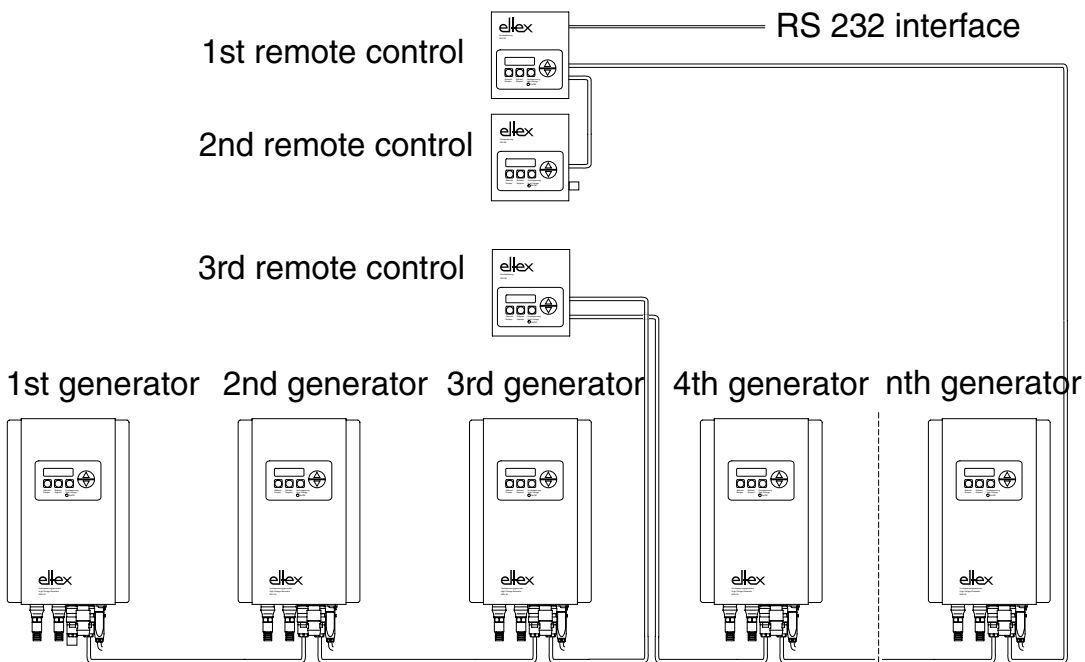
z00171y



electrostatic  
innovations

## Digital field bus system

The new digital field bus concept (CAN bus) allows up to 20 generators and remote controls to be networked easily. Even in complex unit configurations, the different functional groups allow the easy and clearly structured access via the remote control. A control desk may also be linked via the RS232 interface integrated in the remote control.



z00163e

## Technical specifications

<b>Power ratings</b>	
Output voltage	0...+120 kV $\pm 2$ kV DC ((accuracy 2% v.E.) (KNH124P__) 0...-120 kV $\pm 2$ kV DC ((accuracy 2% v.E.) (KNH124N__) Display resolution 100 V, adjustable in increments of 100 V
AC component output	<3% at $U_{max}$ and $I_{max}$
Output current	0...1,25 mA $\pm 0,02$ mA (accuracy 2% v.E.) Display resolution 10 $\mu$ A, adjustable in increments of 10 $\mu$ A
Feedback control	I-controller adapting to load
Supply voltage	230 VAC $\pm 10\%$ , 50 Hz (KNH124_2_) 115 VAC $\pm 10\%$ , 60 Hz (KNH124_1_)
Fuse	Fuse type see nameplate
Power input	max. 250 VA
Enclosure	Sheet metal steel, 1.5 mm, enamelled, aluminium anodised
Protection class	IP 54
Operating ambient temperature	+5...+40°C (+41...+104°F)
Storage temperature	-20...+70°C (-4...+158°F)
Ambient humidity	max. 80% RH, no dewing
Dimensions with wall mounting	410 x 212 x 208 mm (H x W x D)
Weight	17.5 kg
<b>Terminals, Interfaces</b>	
High voltage output	1 high voltage terminal for direct connection of one consumer
Digital interface	CAN bus with twin connector (plug and socket); parallel networking of max. 20 units; max. cable length of bus: 1000 meters
Analog interface	Potential-free input for external h.v. release (24 VDC); rated input: 0...10 V or 0...20 mA; actual voltage output and actual current output: 0...20 mA potential-free fault signal contact (NC)
<b>Functions</b>	
Operating modes	Voltage constant or current constant, selectable, System deviation <2%
Parameter input	Password protected
Limit functions	Voltage and current limitation, selectable



**electrostatic  
innovations**

Eltex-Elektrostatik-Gesellschaft mbH  
Blauenstraße 67, D-79576 Weil am Rhein  
Telephone +49 (0) 76 21/ 79 05 - 0  
Fax +49 (0) 76 21/ 79 05 - 310  
eMail [info@eltex.com](mailto:info@eltex.com)  
Internet [www.eltex.com](http://www.eltex.com)