

Technical Information

The KNHFB Remote Control Unit has been specially designed for the remote control of Eltex high voltage generators with bus capability.

Connection to the high voltage generators and other remote controls via two-wire field bus (CAN bus), allowing a total of 20 units to be interlinked.

Operation

- menu-assisted
- illuminated two-line display
- and message output in plain text
- large operator buttons
- definition of function groups

Functions

- setpoint adjustment of generators, individually or for function groups
- actual value indication of high voltage or of output current
- optional display in kV, mA or in %
- display of operating states (errors)
- generator activation/deactivation
- RS232 interface for flexible control desk integration or log printout in adjustable time intervals; instant printout of error states
- versatile control and operating configurations

Enclosure

- Protection Class IP 54
- installation in switchboard (standard cutout)
- wall mounting
- desk installation



KNHFB Remote Control Unit for High Voltage Generators

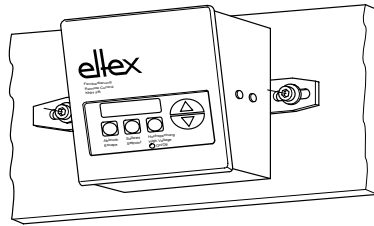
TI-e-3011-0409

KNHFB Remote Control

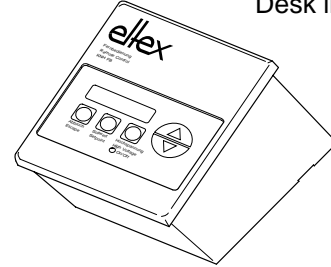
Remote control available for remote operation and monitoring of high voltage generators.

Assembly options

- Switchboard integration
145 x 145 mm standard enclosure
139 x 139 mm cutout
- Desk installation
- Wall mounting 180° rotating front



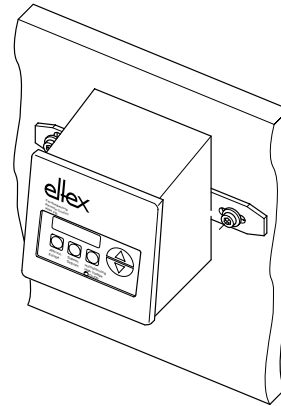
Wall mounting, top



Desk installation



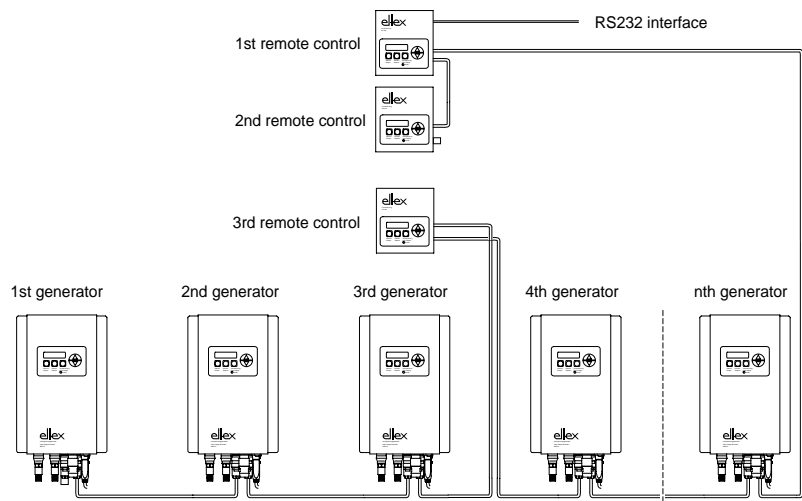
Switchboard integration



Wall mounting, bottom

Digital Field Bus Concept

The new digital field bus concept (CAN Bus) allows up to 20 generators and remote controls to be interlinked in a network, with minimum effort. Function groups, with access via the remote controls, is simple and uncomplicated even in complex installations. Optional integration into control desks via the RS232 interface in the remote control.



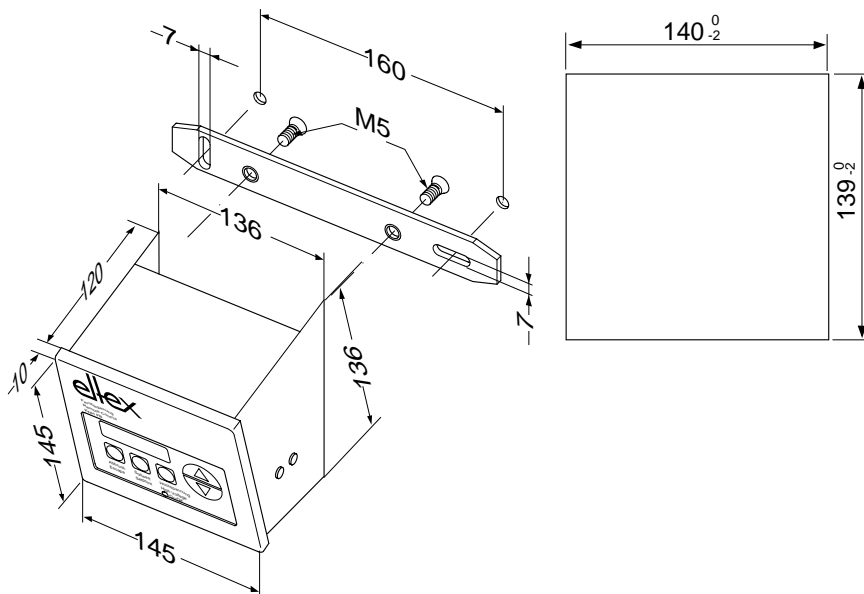
Technical Specifications

Power specifications

Supply voltage	230/115 VAC $\pm 10\%$; 50/60 Hz
Power input	8 VA
Ambient temperature	+5...+40 °C (+41...+104°F)
Relative ambient humidity	max. 80% rel. humidity, non-dewing
Enclosure	sheet metal steel 1.5 mm, enamelled, IP 54
Dimensions	145 x 145 x 130 mm (H x W x D)
Weight:	1,5 kg

Terminals, Interfaces

Digital bus interface	CAN bus with twin terminal (plug and socket); parallel networking of 20 units max., max. cable length of bus: 1,000 meters
RS232 digital interface	5-pin plug
Mains connection	socket contact



Dimensional drawing KNHFB and cutout

Eltex offices and agencies

The addresses of all
Eltex agencies can be
found on our website at
www.eltex.com



z01007y



Eltex-Elektrostatik-Gesellschaft mbH
Blauenstraße 67, D-79576 Weil am Rhein
Phone +49 (0) 76 21/ 79 05 - 0
Fax +49 (0) 76 21/ 79 05 - 310
eMail info@eltex.com
Internet www.eltex.com

Adressenliste:

Nr. TI-d-3011-96/02



Eltex-Elektrostatik-Gesellschaft mbH
Postfach 1229, D-79547 Weil am Rhein
Neudorfer Str. 5, D-79576 Weil am Rhein
Telefon 07621 / 7905-0 (Zentrale)
Telefax 07621 / 7905 10
Telex 773937 eltex d